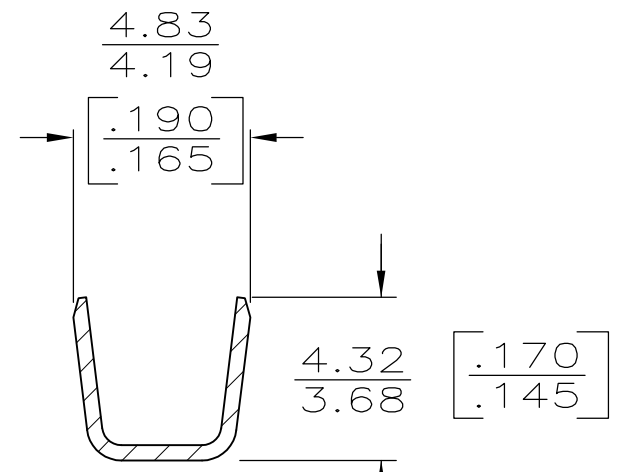
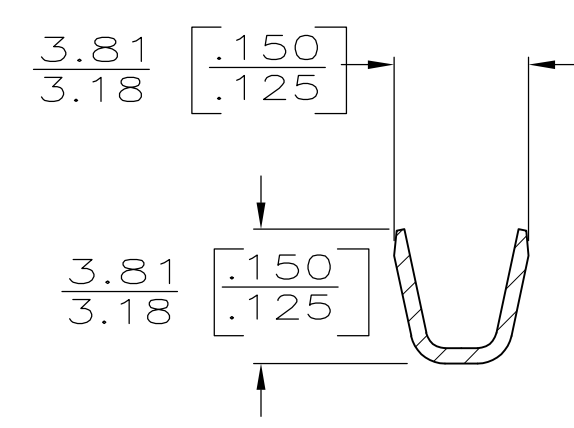
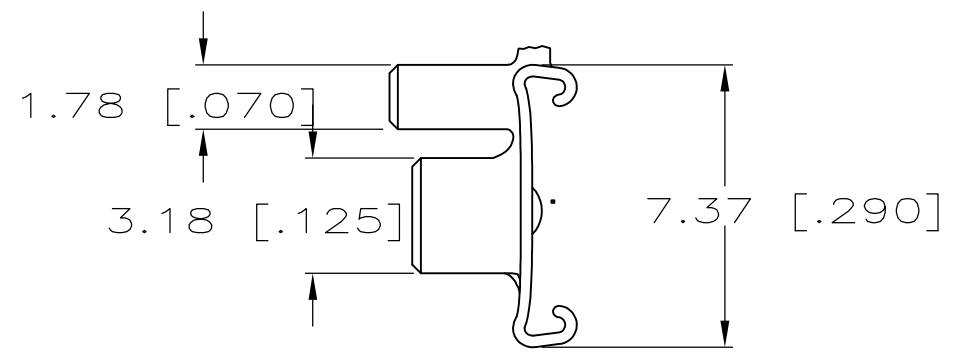
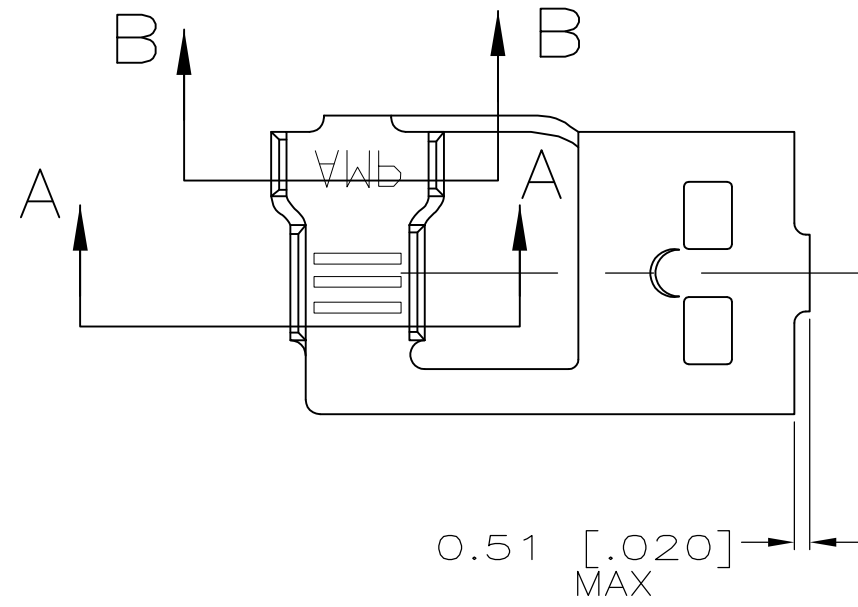


THIS DRAWING IS UNPUBLISHED. RELEASED FOR PUBLICATION
 © COPYRIGHT - By - ALL RIGHTS RESERVED.

LOC	DIST	REVISIONS			
P	LTR	DESCRIPTION	DATE	DWN	APVD
AF	50	E	REVISED PER ECR-12-013445	18OCT12	KH PD


1 SUPPLIED IN LOOSE PIECE



SECTION A-A

SECTION B-B

60290-2	2.29-3.56 DIA [.090-.140] DIA	0.8-2mm ² [18-14] AWG	0.81 [.032]	60419-2
STRIP FORM	INSUL RANGE	WIRE SIZE	MATING TAB THK ±0.025 [.001]	PART NO

THIS DRAWING IS A CONTROLLED DOCUMENT.		DWN JR RUTH 3/5/93	 TE Connectivity RECEPTACLE, FASTON, 6.35 [.250] SERIES				
DIMENSIONS: INCHES		CHK MS FEHER 3/5/93				NAME	
TOLERANCES UNLESS OTHERWISE SPECIFIED:		APVD C MEYERS 3/5/93				SIZE	
0 PLC ± - 1 PLC ± - 2 PLC ± 0.25 [.010] 3 PLC ± - 4 PLC ± - ANGLES ± -		PRODUCT SPEC				CAGE CODE	
MATERIAL BRASS 0.41 [.016]		FINISH TIN	APPLICATION SPEC	DRAWING NO			
		WEIGHT -	A300779		RESTRICTED TO		
		CUSTOMER DRAWING		SCALE 4:1	SHEET 1 OF 1		
				REV E			